

PF9800 Series

Ultra High-Efficiency Toilet

PROFLO®

PRODUCT FEATURES

- 0.8 GPF UHET, Ultra High Efficiency Toilet
- Two-piece vitreous china
- Gravity fed
- 1-3/4" fully glazed trapway
- 3" flush valve
- Close coupled tank with cover
- Quick connect, 2 bolt tank to bowl installation
- Comes standard with a color matching trip lever
- Available round front and elongated ADA
- Seat and supply not included
- Anti-siphon fill valve
- Sanitary Bar on all bowls



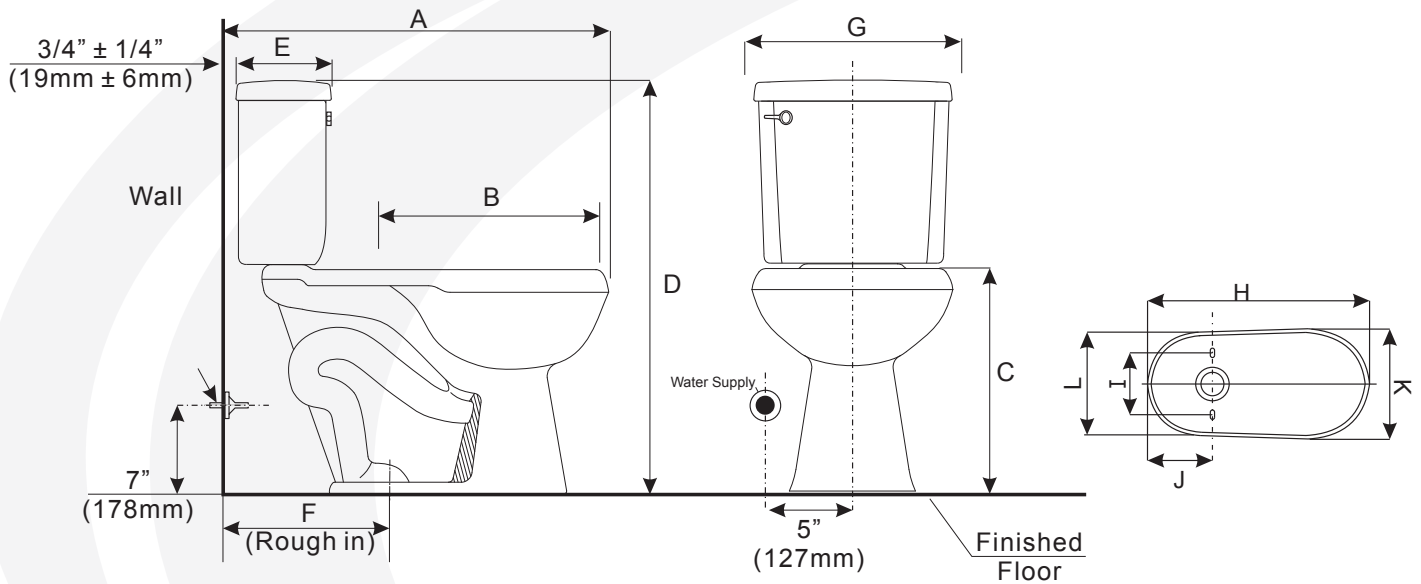
Ultra High-Efficiency Toilet



- PF9800WH Round Front UHET Bowl, White
- PF9803WH ADA Height EL UHET Bowl, White
- PF9812WH 0.8 UHET Tank w/ 12" RI for PF9800 series
- PF9810WH 0.8 UHET Tank w/ 10" RI for PF9800 series

CODES AND STANDARDS

- ADA (PF9803WH)
- IAPMO/cUPC
- ASME A112.19.2 / CSA B45.1
- EPA WaterSense Certified
- Map Tested: PF9800WH: 600g, PF9803WH: 800g



	PF9812WH/ PF9800WH	PF9812WH/ PF9803WH
A	28-1/8"	30-1/8"
B	16-1/2"	18-1/2"
C	16-1/2"	17"
D	31-3/4"	32"
E	7-7/8"	7-7/8"
F	12"	12"
G	16-15/16"	16-15/16"

	PF9810WH/ PF9800WH	PF9810WH/ PF9803WH
A	26"	28"
B	16-1/2"	18-1/2"
C	16-1/2"	17"
D	31-1/8"	31-11/16"
E	6-7/8"	6-7/8"
F	10"	10"
G	17-1/8"	17-1/8"

	RF	ADA
	PF9800	PF9803
H	18-1/2"	19-3/8"
I	6"	6"
J	6-1/8"	6-1/8"
K	9-1/4"	9-1/4"
L	8-7/8"	8-7/8"

WARRANTY AND CODES

This product comes complete with installation, operating, care and maintenance instructions. All PROFLO fixtures carry a 1- year limited warranty. This product meets or exceeds ASME/ANSI A112.19.2M. In an effort to continually improve our products, we will make design changes from time to time. We reserve the right to ship newly designed product to fill any order unless we agree in writing to do otherwise.

